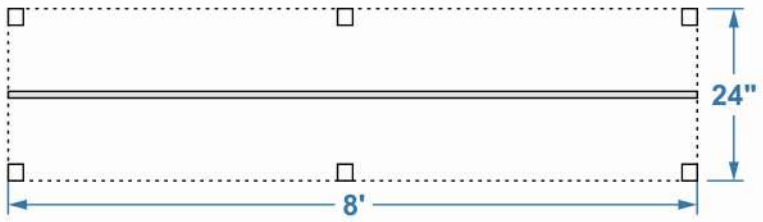
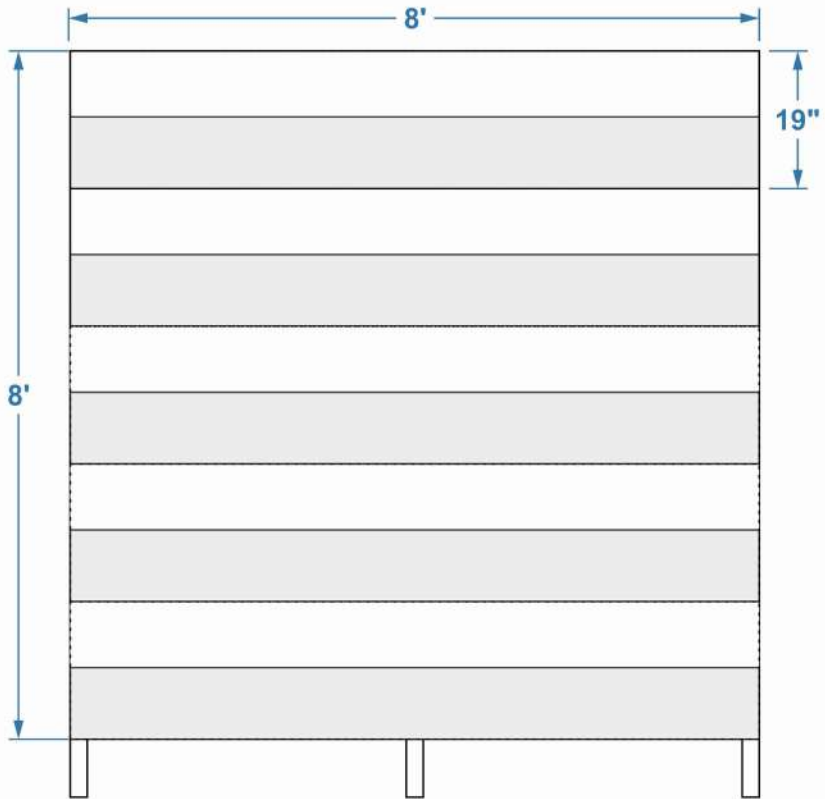


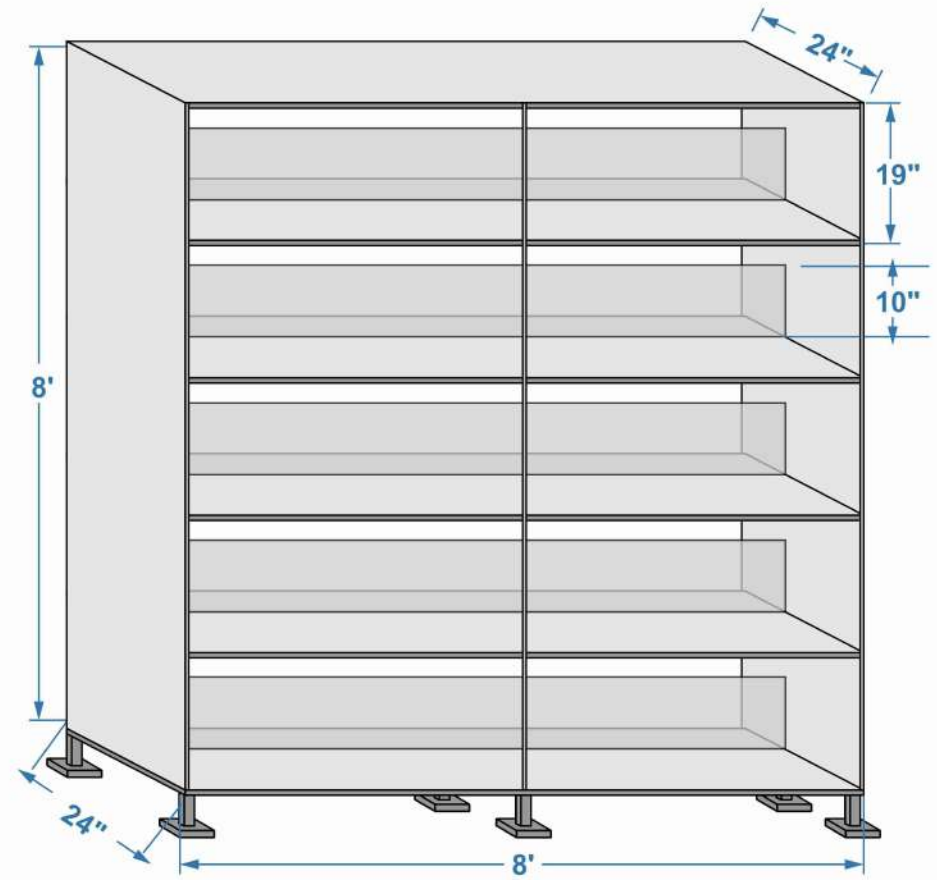
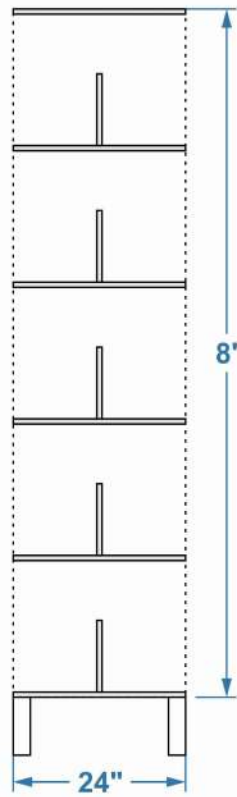
**Top View**



**Front View**



**Side View**



## Specification for The Stores Iron Rack - 02 Nos.

No	Item	Description	Conformity of		Remark
			Yes	No	
1	Rack Size	8'x8' (Feet)			
		(96"x96"x24")			
2	No. of Compartments	5 (See attached design)			
		(19"x24"x8')			
3	Rack Frame	Material - Iron (Solid L Iron)			
		1 1/2 " x 1 1/2 " (Inch)			
		Material Thickness-2.5mm			
		Colour-Black with Anticorrosive Paint			
		Fixing-Nut & Bolt (Suitable for Heavy Weight), Separate Iron bar should be fixed in top to bottom of the rack to improve the strength. (See attached design)			
4	Frame Legs	No.of Legs - 06 (See attached design)			
		Leg foot size - 2"x2" (Inch)			
		Leg hight - 5" (Inch)			
		Material - Iron (L-Iron)			
5	Cover				
	Top	Plywood 1/2" (Inch)			
	Side	Plywood 1/2" (Inch)			
	Back	Plywood 1/2" (Inch)			
	Bottom/Platform	Plywood 1" (Inch) (Each compartment should be Two Iron bars for additional strength)			
	Wood colour	Gray			
6	Warranty	Two years			
7	Fixing & Installation	Racks should be fixed in the DMC Main stores			
8	Other (Information)	Sample can be seen in the DMC main Stores			